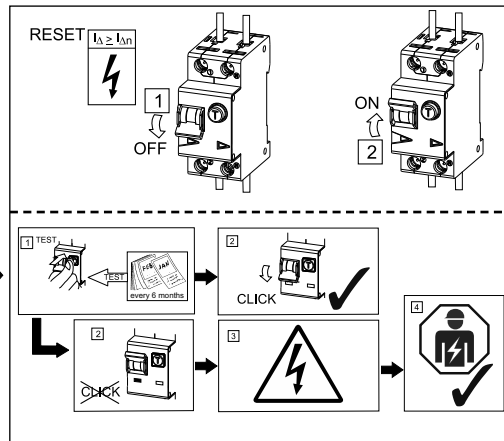
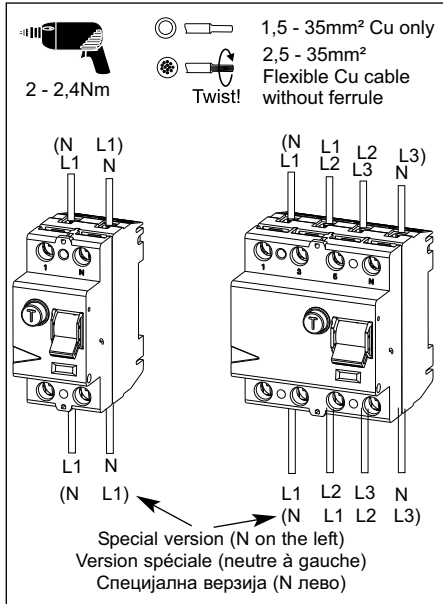
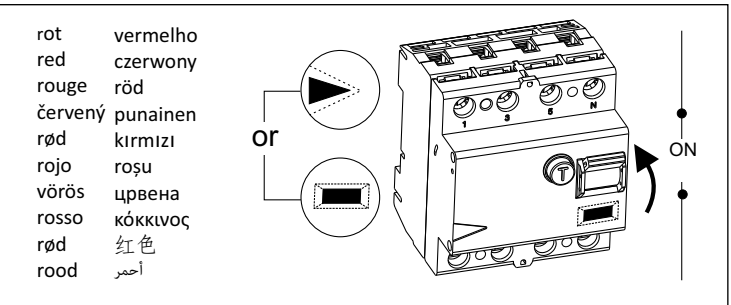
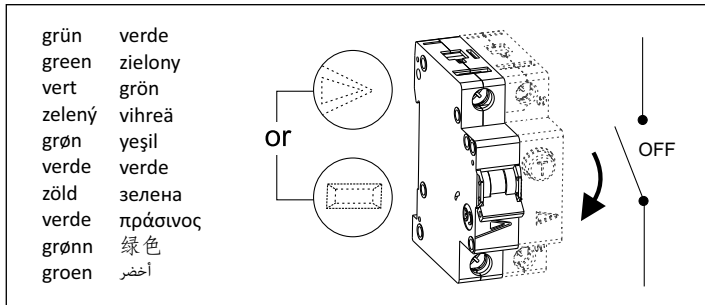


**Extension for MCB's:**

Supplementary Protector	USA/Canada
Technical Data	UL 1077
1 phase (series-fuse 100A): 5 kA - 277 V ~ 60 Hz	Tripping Current: 155 % of rated current at 30°C Cu 75°C, min. AWG 18, max. AWG 4, Nm 2.4
3 phase (series-fuse 100 A): 5 kA - 277/480 V ~ 60 Hz	



**Extension for RCD's:**

Maximum back-up fuse	Short circuit
I <sub>n</sub> = 16-63A	63 A gG/gL
I <sub>n</sub> = 80A	80 A gG/gL
I <sub>n</sub> = 100A	100 A gG/gL

**Erweiterung für FI's:**

Max. zulässige Vorsicherung	Kurzschluss
I <sub>n</sub> = 16-63A	63 A gG/gL
I <sub>n</sub> = 80A	80 A gG/gL
I <sub>n</sub> = 100A	100 A gG/gL

